



# Journal of Earth Energy Engineering

Accredited by Directorate General of Strengthening for Research and Development, Ministry of Research, Technology, and Higher Education of Republic Indonesia No: 10/E/KPT/2019

---

## INSTRUCTION FOR AUTHORS

### Title of the manuscript. Keep your title less than 14 words

First Author<sup>1</sup>, Second Author<sup>2\*</sup>, Third Author<sup>1</sup>, Fourth Author<sup>3</sup>

<sup>1</sup>Department of xxx, Faculty of yyy, University zzz, Department Full street address, City, State/Province, Country - ZIP Code

<sup>2</sup>Department of xxx, Faculty of yyy, University zzz, Department Full street address, City, State/Province, Country - ZIP Code

<sup>3</sup>Department of xxx, Faculty of yyy, University zzz, Department Full street address, City, State/Province, Country - ZIP Code

\*Corresponding Author: [author.affiliation@email](mailto:author.affiliation@email)

---

Article History:	Abstract
Received: Month Date, Year Receive in Revised Form: Month Date, Year Accepted: Month Date, Year	The abstract should be clear, concise, descriptive and should provide a brief introduction to the problem. This should generally be followed by a statement regarding the methodology and a brief summary of results.
<b>Keywords:</b> Type your keywords here (at least five keywords), separated by comma (,).	The abstract should end with a comment on the significance of the results or a brief conclusion. The abstract should be 150 to 300 words in length. The abstract should be written in the past tense. Standard nomenclature should be used, and abbreviations should be avoided. No literature should be cited in the abstract. The keyword list provides the opportunity to add keywords, used by the indexing and abstracting services, in addition to those already present in the title.

---

## INTRODUCTION

Here introduces the paper. The paragraphs continue from here and are only separated by headings, subheadings, images, and formulae. The section headings are arranged by capitalize, bold and 10 pt. The manuscript should be between 2000 – 6000 words and the language should be in English. Manuscript should be written in A4 size paper, single line spacing, font type Sabon LT Std (font is included in the article template download link), font size 10, with the margin as follow: Left 30mm, Right 20mm, Top 20mm and Bottom 20mm. Please make sure that you do not exceed the indicated type area.

## Structure

Files must be in MS Word only and should be formatted for direct printing, using the CRC MS Word provided. Figures and tables should be embedded and not supplied separately. Please make sure that you use as much as possible normal fonts in your documents. Special fonts, such as fonts used in the Far East (Japanese, Chinese, Korean, etc.) may cause problems during processing. To avoid unnecessary errors, you are strongly advised to use the 'spellchecker' function of MS Word. Follow this order when typing manuscripts: **Title, Authors, Affiliations, Abstract, Keywords, Main text (Introduction, Method or Material and Method, Results and Discussion, Conclusion; including figures and tables), Acknowledgements, References, Appendix.** Collate



# Journal of Earth Energy Engineering

Accredited by Directorate General of Strengthening for Research and Development, Ministry of Research, Technology, and Higher Education of Republic Indonesia No: 10/E/KPT/2019

acknowledgements in a separate section at the end of the manuscript and do not include them on the title page, as a footnote to the title or otherwise.

## Construction of references

References must be listed at the end of the paper. Do not begin them on a new page unless this is absolutely necessary. Authors should ensure that every reference in the text appears in the list of references and vice versa. Indicate references by last name and years in the text.

Some examples of how your references should be listed are given at the end of this template in the ‘References’ section, which will allow you to assemble your reference list according to the correct format and font size.

## Section headings

Section headings should be left justified, bold, with all letter capitalized, **starting with the Introduction (Followed by Method or Material and Method, Results and Discussion, Conclusion)**. Sub-section headings should be in the first letter capitalized and bold, without number, and left justified, with second and subsequent lines indented. All headings should have a minimum of three text lines after them before a page or column break. Ensure the text area is not blank except for the last page.

Cite the main scientific publications on which your work is based. Cite only items that you have read. Do not inflate the manuscript with too many references. Avoid excessive self-citations. Avoid excessive citations of publications from the same region. Check each reference against the original source (authors name, volume, issue, year, DOI Number). Please use Reference Manager Applications like **EndNote, Mendeley, Zotero, etc.** Use other published manuscripts in the same journal as models. If you are cite using mendeley please use **American Psychological Association** for cite model stlye.

## Tables

All tables should be numbered with Arabic numerals. Every table should have a caption. Horizontal lines should be placed above and below table headings and at the bottom of the table. Vertical lines should be avoided. Title should use Sabon LT Std font size 10, with 8 pt before and 6 pt after the paragraph, left centered at the top of the table. Tables must be embedded into the text and not supplied separately. Below is an example which the authors may find useful.

Table 1. An example of a table.

<b>An example of a column heading</b>	<b>Column A (<i>t</i>)</b>	<b>Column B (<i>T</i>)</b>
<b>And an entry</b>	1	2
<b>And another entry</b>	3	4
<b>And another entry</b>	5	6

## Figures

All figures should be numbered with Arabic numerals (1,2,3,..). Every figure should have a caption. All photographs, schemas, graphs, and diagrams are to be referred to as figures. Line drawings should be good quality scans or true electronic output. Low-quality scans are not acceptable. Figures must be embedded into the text and not supplied separately. In MS word input the figures must be properly coded. Preferred format of figures is PNG, JPEG, GIF etc. Lettering and symbols should be clearly defined either in the caption or in a legend provided as part of the figure. Figures should be placed at the top or bottom of a page wherever possible, as close as possible to the first reference to them in the paper. Please ensure that all the figures are of 300 DPI resolutions as this will facilitate good output.

The figure number and caption should be typed below the illustration in 10 pt and left centered [*Note:* one-line captions of length less than column width (or full typesetting width or oblong) centered].

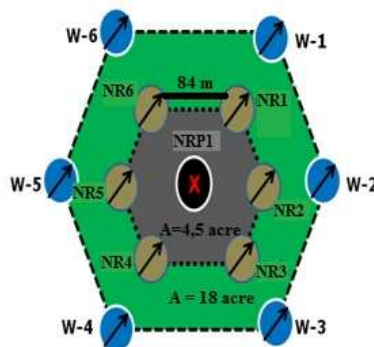


Figure 1. Example of figure.

## Equations

Equations and formulae should be typed in Math type and numbered consecutively with Arabic numerals in parentheses on the right-hand side of the page (if referred to explicitly in the text). They should also be separated from the surrounding text by one space.

$$\frac{q}{q_{\max}} = 1 - 0.2 \left( \frac{P_{wf}}{P_s} \right) - 0.8 \left( \frac{P_{wf}}{P_s} \right)^2 \quad (1)$$

## Acknowledgements

Acknowledgements and Reference heading should be left justified, bold, with the first letter capitalized but have no numbers. Text below continues as normal.

## References

The main references are international journals and proceedings. All references should be to the most pertinent, up-to-date sources and the minimum of references are 15. References are written in APA 6<sup>th</sup> ed style. Please use a consistent format for references – see examples below (9 pt):



# Journal of Earth Energy Engineering

Accredited by Directorate General of Strengthening for Research and Development, Ministry of Research, Technology, and Higher Education of Republic Indonesia No: 10/E/KPT/2019

---

## Journals

Kim, S., & Santamarina, C. J. (2013). CO<sub>2</sub> breakthrough and leak-sealing - Experiments on shale and cement. *International Journal of Greenhouse Gas Control*, 19, 471–477. <https://doi.org/10.1016/j.ijggc.2013.10.011>

## Conference Proceedings

Benard, J. H., Richardson, W. C., & Sitton, G. M. (1998). Steam Oil Displacement and Vaporization of Minas Oil in Slimtubes. In *SPE/DOE Improved Oil Recovery Symposium* (pp. 1–15). Tulsa, Oklahoma: Society of Petroleum Engineering. <https://doi.org/10.2118/39639-MS>

## Books

Sheng, J. J. (2011). *Modern Chemical Enhanced Oil Recovery* (1st ed.). Oxford: Gulf Professional Publishing.

## PUBLICATION ETHICS

### Publication Ethics and Publication Malpractice Statement

This statement clarifies the ethical behavior of all parties involved in the act of publishing an article in Journal of Earth Energy Engineering (JEEE), including the authors, the editors, the peer-reviewers, and the publisher (Universitas Islam Riau Press).

This statement is based on COPE's Best Practice Guidelines for Journal Editors

### Ethical Guideline for Journal Publication

The publication of an article in a peer-reviewed Journal of Earth Energy Engineering (JEEE) is an essential building block in the development of a coherent and respected network of knowledge. It is a direct reflection of the quality of the work of the authors and the institutions that support them. Peer-reviewed articles support and embody the scientific method. It is therefore important to agree upon standards of expected ethical behavior for all parties involved in the act of publishing: the authors, the journal editors, the peer reviewers, the publisher, and the society.

Universitas Islam Riau (UIR) Press as a publisher of this Journal takes its duties of guardianship over all stages of publishing extremely seriously and we recognize our ethical and other responsibilities. We are committed to ensuring that advertising, reprint, or other commercial revenue has no impact or influence on editorial decisions. In addition, UIR Press and Editorial Board of Journal of Earth Energy Engineering will assist in communications with other journals and/or publishers where this is useful and necessary.



# Journal of Earth Energy Engineering

Accredited by Directorate General of Strengthening for Research and Development, Ministry of Research, Technology, and Higher Education of Republic Indonesia No: 10/E/KPT/2019

---

## **Publication Decisions**

The editor in chief of Journal of Earth Energy Engineering is responsible for deciding which of the articles submitted to the journal should be published. The decision is based on the recommendation of the journal's editorial board members and reviewers. The journal abides by legal requirements as shall then be in force regarding libel, copyright infringement, and plagiarism. The editor confers with the editorial team and reviewers in making this decision.

## **Confidentiality**

The editor, reviewers, and editorial staff must not disclose any information about a submitted manuscript to anyone other than the corresponding author, reviewers, potential reviewers, editorial team, and the publisher, as appropriate.

## **Disclosure and conflicts of interest**

Unpublished materials disclosed in a submitted manuscript must not be used by any of the editorial board members and reviewers in their own research.

## **Duties of Reviewers**

### **Contribution to Editorial Decisions**

The journal uses a double-blind review process. The reviewers advise the editor-in-chief in making the editorial decision. The editor-in-chief communicates with authors, as required, and helps them in improving the quality of their research paper.

### **Promptness**

The journal editors are committed to providing timely review to the authors. If a reviewer does not submit his/her report in a timely manner, the paper is immediately sent to another qualified reviewer.

### **Confidentiality**

Manuscript content is treated with at most confidentiality. The journal uses the double-blind peer-review process. Except for the editor-in-chief, the editors and reviewers cannot discuss the paper with any other person, including the authors.



# Journal of Earth Energy Engineering

Accredited by Directorate General of Strengthening for Research and Development, Ministry of Research, Technology, and Higher Education of Republic Indonesia No: 10/E/KPT/2019

---

## **Standards of Objectivity**

The editors and reviewers are required to evaluate papers based on the content. The review comment must be respectful of the authors. The reviewers are required to justify their decision and recommendation.

## **Acknowledgment of Sources**

Reviewers should identify relevant published work that has not been cited by the authors. Any statement that an observation, derivation, or argument had been previously reported should be accompanied by the relevant citation. A reviewer should also call to the editor's attention any substantial similarity or overlap between the manuscript under consideration and any other published article of which they have personal knowledge.

## **Disclosure and Conflict of Interest**

Privileged information or ideas obtained through peer review must be kept confidential and not used for personal advantage. Reviewers should not consider manuscripts in which they have conflicts of interest resulting from competitive, collaborative, or other relationships or connections with any of the authors, companies, or institutions connected to the papers.

## **Duties of Authors**

### **Reporting standards**

The authors should present an accurate account of the work performed as well as an objective discussion of its significance. Underlying data should be represented accurately in the article. An article should contain sufficient detail and references to permit others to replicate the work wherever possible. Fraudulent or knowingly inaccurate statements constitute unethical behavior and are unacceptable.

### **Data Access and Retention**

Authors may be asked to provide the raw data in connection with an article for editorial review. They should be prepared to provide such data within a reasonable time.

### **Originality and Plagiarism**

The authors should ensure that they have written entirely original works, and if the authors have used the work and/or words of others that this has been appropriately cited or quoted. Articles found with such problems are automatically rejected and authors are so advised.



## **Multiple, Redundant or Concurrent Publication**

When an article is submitted for possible publication, the submitting author makes a written statement that the paper has not been published nor it is currently under publication with any other journal. Simultaneous submission is considered unethical and is therefore unacceptable.

## **Acknowledgment of Sources**

Proper acknowledgment of the work of others is required. Authors must cite publications that have led to the authors' current research.

## **Authorship of the Paper**

Authorship should be limited to those who have made a significant contribution to the research reported in the manuscript. The corresponding author has a responsibility to keep co-authors posted with the review process. If accepted, all authors are required to give a signed statement that the research work is their original research work.

## **Disclosure and Conflicts of Interest**

All authors should disclose in their manuscript any financial or other substantive conflicts of interest that might be construed to influence the results or interpretation of their manuscript. All sources of financial support for the project should be disclosed.

## **Fundamental errors in published works**

When an author discovers a significant error or inaccuracy in his/her own published work, it is the author's obligation to promptly notify the journal editor or publisher and cooperate with the editor to retract or correct the paper.